



Industrie Service

EU TYPE-EXAMINATION CERTIFICATE

According to Annex IV, Part A of 2014/33/EU Directive

Certificate No.: EU-SG 517

Certification Body of the Notified Body: TÜV SÜD Industrie Service GmbH
Westendstr. 199
80686 Munich – Germany
Identification No. 0036

Certificate Holder: P.F.B. s.r.l.
Via Raimondo Dalla Costa, 690
41122 Modena – Italy

Manufacturer of the Test Sample: P.F.B. s.r.l.
Via Raimondo Dalla Costa, 690
41122 Modena – Italy
(Manufacturer of Serial Production – see Enclosure)

Product: Instantaneous safety gear, braking element as a part of the protection device against unintended downwards car movement

Type: BP-3 _

Directive: 2014/33/EU

Reference Standards: EN 81-20:2014
EN 81-50:2014
EN 81-1:1998+A3:2009
EN 81-2:1998+A3:2009

Test Report: EU-SG 517 of 2016-03-10

Outcome: The safety component conforms to the essential health and safety requirements of the mentioned Directive as long as the requirements of the annex of this certificate are kept.

Date of Issue: 2016-03-10

Date of Validity: from 2016-04-20

Werner Rau
Werner Rau
Certification Body "lifts and cranes"



**Annex to the EC Type-Examination Certificate
No. EU-SG 517 of 2016-03-10**



Industrie Service

1 Scope of application

1.1 Generally

All following application possibilities refer to a brand new pair of safety gear depending on tripping speed of overspeed governor and blade width of guide rails.

The safety component can fulfil separately and in combination two security features according 1.2 and 1.3. Application range exclusively according 1.3 is not provided.

Minimum running surface width of guide rails 23 mm

Maximum rated speed car 0.63 m/s

Maximum tripping speed overspeed governor

Car 1.00 m/s

Counterweight 1.65 m/s

Notes:

* Possible total distance = Response distance ** + Retraction distance **

** Response distance: Defined as the maximum distance, that can be covered by the car between inoperative position of the safety gear and until the car lies against the guide rails (start of retraction)

*** Retraction distance: Defined as the maximum theoretical possible distance that can be covered by a car with parallel build-up, highest braking force (corresponding to type examination test)

1.2 Using as an instantaneous safety gear (acting downwards) - permissible total mass of car and rated load depending on maximum tripping speed

Tripping speed [m/s]	Maximum total mass [kg]	
	Blade width 10 mm version BP-3S	Blade width 16 mm version BP-3
0.50	3123	3921
0.60	3005	3773
0.70	2876	3612
0.80	2741	3442
0.90	2603	3268
1.00	2463	3093
1.10	2326	2920
1.20	2192	2752
1.32	2037	2558
1.65	1659	2083

1.3 Using as a braking element - part of the protection device against unintended car movement (acting downwards) – maximum response, retraction distances and possible total distance

Version	Distances [mm]		
	Maximum response**	Maximum retraction***	Possible total distance*
BP-3	30	74	104
BP-3S	30	102	132

**Annex to the EC Type-Examination Certificate
No. EU-SG 517 of 2016-03-10**



Industrie Service

2 Terms and Conditions

- 2.1 Above mentioned safety component represents only a part at the protection device against downwards unintended car movement. Only in combination with a detecting and triggering component in accordance with the standard (two separate components also possible), which must be subjected to an own type-examination, can the system created fulfil the requirements for a protection device. The stated value of maximum tripping speed 1.0 m/s has to be observed.
- 2.2 The installer of the complete lift must create an examination instruction to fulfil the overall concept of the protection device, add it to the lift documentation and provide any necessary tools or measuring devices, which allow a safe examination (e. g. with closed landing doors).
- 2.3 The approval drawing BP.3 or BP.3S including stamp dated 2016-03-10 shall be included to the EU type-examination for the identification and information of the general construction and operation and distinctness of the approved type.
- 2.4 The EU type-examination certificate may only be used in combination with the corresponding annex and enclosure (List of authorized manufacturer of the serial production). The enclosure will be updated immediately after any change by the certification holder.

3 Remarks

- 3.1 The version will be marked at the blank after the type designation BP-3_ by a code letter S.
- 3.2 The instantaneous safety gear can also be used to a counterweight in compliance with the permissible total mass according table 1.2 of this certificate till permissible tripping speed.
- 3.3 It can be assumed, that with regard to a low tripping speed, functionality is provided, if a permanent tensile force of more than 300 N is used.
- 3.4 Examination of compliance with other requirements according standard, reduction of braking effect due to wear-and-tear or alterations to the installation due to the installation's operation such as alterations to the running surfaces of the guide rails, are not part of this type-examination.
- 3.5 This EU type-examination certificate was issued according to the following standards:
- EN 81-1:1998 + A3:2009 (D), Annex F.3 and F.8
 - EN 81-2:1998 + A3:2009 (D), Annex F.3 und F.8
 - EN 81-20:2014 (D), part 5.6.2.1.1.2 and 5.6.7.13
 - EN 81-50:2014 (D), part 5.3 and 5.8

A revision of this EU type-examination certificate is inevitable in case of changes or additions of the above mentioned standards or of changes of state of the art.

**Enclosure to the EU Type-Examination Certificate
No. EU-SG 517 of 2016-03-10**



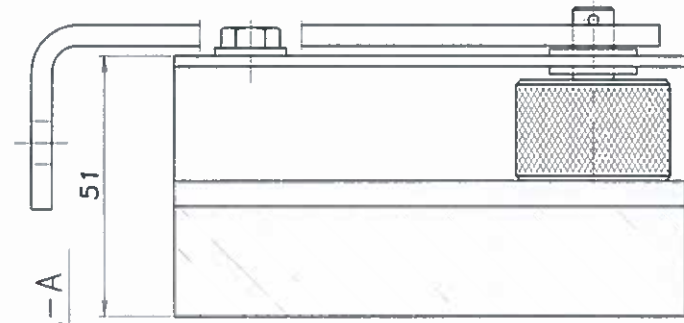
Industrie Service

Authorised Manufacturer of Serial Production – Production Sites (valid from: 2016-03-10):

Company	P.F.B. s.r.l.
Address	Via Raimondo Dalla Costa, 690 41122 Modena – Italy

- END OF DOCUMENT -

PARACADUTE DX



MODIFICHE - MODIFIKATIONEN

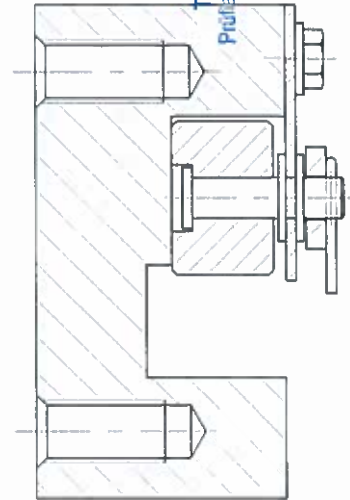
NR.	DATA DATUM	DESCRIZIONE BESCHREIBUNG
1	06/'99	AGGIUNTA TERGIETTA E SUOI RIVETTI.
2	01/'00	MODIFICATO MATERIALE BLOCCHI.
3	06/'04	MODIFICATO MATERIALE RULLO ZIGRINATO.
4	01/'06	MODIFICATO BLOCCO E RULLO ZIGRINATO
5	10/03/'15	VERIFICATO DISEGNO (StudioTe srl)

Smussi non quotati	/45°	scala	1:1	Q.to'	LAVOR. GEN.	NOTE
Raggi non quotati						
TOLL. QUOTE LIBERE		DENOMINAZIONE				
S.L.		COMPLESSIVO				
RUGOSITÀ max. TOLL.		GRUPPO				
▽	± 0,2	PARACADUTE BP.3 (GUIDA 16)				
▽▽	± 0,15	MACCHINA				
▽▽▽	± 0,1					
▽▽▽▽	± 0,07					
◎	0,04					
⊥	0,04					
//	0,04					

QUALITÀ*	STATO-N°-MOD.	DIMEN.	PESO kg.	T.T.	VER.	DATA
					03/2015 S.3	03/98
					COD. N°	8024300300 (DX)
						8024300301 (SX)
					DIS. N°	BP.3

PARACADUTE SX

Sez. B-B



10. MRZ. 2016

GEPRÜFT / APPROVED
 TÜV SÜD Industrie Service GmbH
 PrüfLaboratorium für Produkte der Fördertechnik
 Westendstraße 199
 80686 München
 Sachverständigen / Expert

